

QLA-1000-18000-42-25

1~18GHz, 42dB, 2.5dB

Features:
 * Broad Band
 * Low Noise

Applications:
 * Wireless
 * Receiver
 * Laboratory Test
 * Radar

Electrical

| | |
|----------------------|------------------------|
| Frequency: | 1~18GHz |
| Gain: | 42dB min. 45dB typ. |
| Gain Flatness: | ±1.5dB typ. |
| Output Power (P1dB): | +10dBm min. |
| Noise Figure: | 2.5dB max. |
| VSWR: | 2 max. |
| Voltage: | +9V DC |
| Current: | 150mA typ. |
| Impedance: | 50Ω |

Mechanical

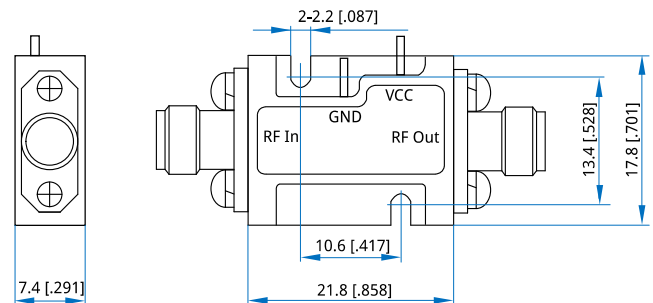
| | |
|----------------------|--|
| Size ^{*1} : | 21.8*17.8*7.4mm 0.858*0.701*0.291in |
| RF Connectors: | SMA Female |

[1] Exclude connectors.

Environmental

| | |
|----------------------------|-----------|
| Operating Temperature: | -40~+70°C |
| Non-operating Temperature: | -55~+85°C |

Outline Drawings



Unit: mm [in]

Tolerance: ±0.2mm [±0.008in]

How To Order

QLA-1000-18000-42-25

Customization is available upon request.